

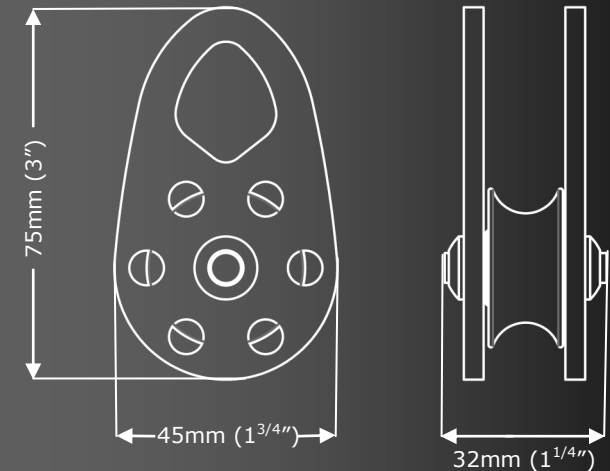
# RP281 Rope Wrench Pulley

## Data Sheet



ISC lightweight Eiger Pulleys are made from high strength Aluminium and fitted with tamper-proof rivets. ISC Eiger Pulleys are fitted with Bushings, which are ideal in lightweight applications.

The RP281 has been designed with parallel side plates specifically for use with the RP280 Singing Tree Rope Wrench and the Sterling Rope tether, RT270.



<b>Weight</b>	76g (2.7oz)
<b>Body Material</b>	Aluminium
<b>Wheel Material</b>	Aluminium
<b>Finish</b>	Anodised
<b>Rope Size</b>	Max 13mm (1/2")
<b>MBS</b>	36kN (8000lbf)